



Texecom Ltd  
 St Crispin Way  
 Bradwood Court  
 Haslingden  
 Blackburn  
 BB4 4PW  
 United Kingdom

<b>Fire Alarm Device: Beacon.</b> <b>Type A:</b> For indoor use (Shallow Base) <b>Type B:</b> For Outdoor use (Deep Base)			 0832 13			<b>EN54-23:2010</b> Fire Alarm devices—Visual alarm devices (VAD) Intended for use in and around buildings.		
Head Type	Coverage Volume	CPR Number	Type	Coverage Volume	CPR Number			
ESBA3000R	C-3-15	0832-CPR-F0007	ESBA4000R	W-3.1-11.3	0832-CPR-F0009			
ESBA3000W	C-3-15	0832-CPR-F0007	ESBA4000W	W-3.1-11.3	0832-CPR-F0009			

<b>Fire Alarm Device: Sounder Beacon.</b> <b>Type A:</b> For indoor use (Shallow Base)			 0832 13			<b>EN54-23:2010; EN54-3:2001</b> Fire Alarm devices—Visual alarm devices (VAD) and sounder intended for use in and around buildings.		
Head Type	Coverage Volume	CPR Number	Type	Coverage Volume	CPR Number			
ESCA3000R	C-3-15	0832-CPR-F0008	ESCA4000R	W-3.1-11.3	0832-CPR-F0010			
ESCA3000W	C-3-15	0832-CPR-F0008	ESCA4000W	W-3.1-11.3	0832-CPR-F0010			

Head Type	LPCB Number
ESBA3000R	717e/01
ESBA3000W	717e/02
ESBA4000R	717e/03
ESBA4000W	717e/04
ESCA3000R	717d/01
ESCA3000W	717d/02
ESCA4000R	717d/03
ESCA4000W	717d/04

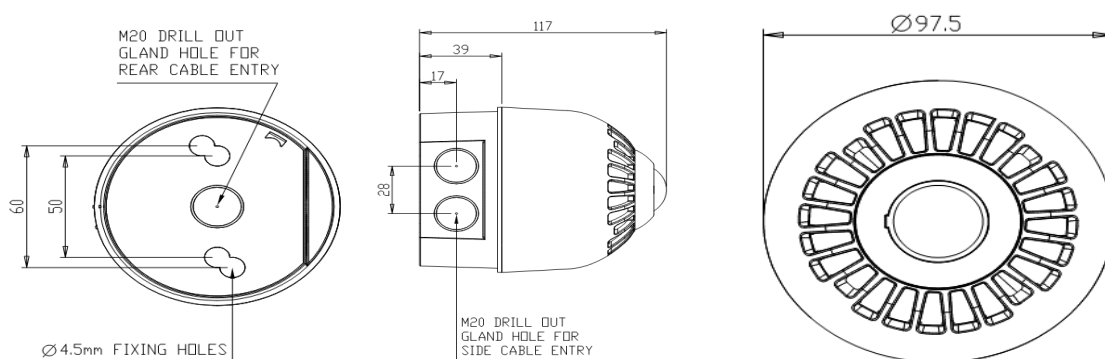


## Technical Specification:

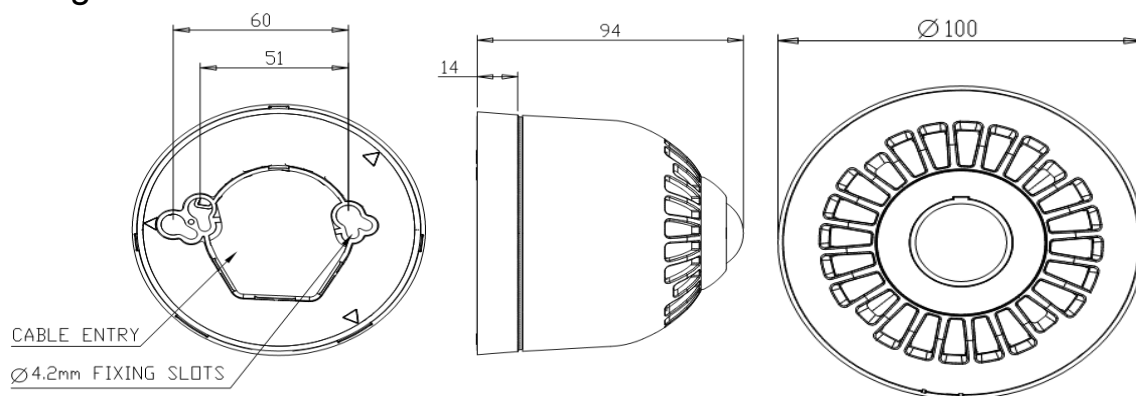
Supply Voltage Range	17—60Vdc
Switch on Surge @ 24Vdc	<1.2mA
<b>Current</b>	
Alarm ( Sounder-Beacon) @ 24Vdc 0.5Hz	25.1mA
Alarm ( Sounder-Beacon) @ 24Vdc 1Hz	45.1mA
<b>Sounder</b>	
Number of Tones	32
Peak Sound Level	97dBA dBA at 1m
Frequency Range	400—2850Hz*
<b>Beacon</b>	
Flash Rate	0.5Hz/1Hz
Flash Colour	White
Stabilisation	1 minute
Synchronisation	Automatic.
Coverage (Ceiling)	C-3-15
Coverage Volume (Ceiling)	530m <sup>3</sup>
Coverage (Wall)	W-3.1-11.3
Coverage Volume (Wall)	395.84m <sup>3</sup>
<b>Environmental</b>	
Humidity	95%
Operating Temperature Sounder Beacon/Beacon	- 10°C to +55°C /- 25°C to +70°C
Storage Temperature Sounder Beacon/Beacon	- 10°C to +55°C /- 25°C to +70°C
Casing	High Impact Polycarbonate
IP Rating	IP21/ IP65 (deep Base)
Cable Size	min. 0.28 mm <sup>2</sup> /max. 2.5 mm <sup>2</sup>
Ceiling Dimensions (shallow base) (dia x h)	97.5mm X 94mm
Ceiling Dimensions (deep base) (dia x h)	97.5m X 117mm
Wall Dimensions (shallow base) (dia x h)	97.5mm X 100mm
Wall Dimensions (deep base) (dia x h)	97.5mm 122mm
Ceiling Beacon Weight (deep base)	237gms
Ceiling Beacon Weight (shallow base)	190gms
Wall Beacon Weight (deep base)	237gms
Wall Beacon Weight (shallow base)	190 gms
Ceiling Sounder Beacon Weight (deep base)	290 gms
Ceiling Sounder Beacon Weight (shallow base)	243 gms
Wall Sounder Beacon Weight (deep base)	290 gms
Wall Sounder Beacon Weight (shallow base)	243 gms

\* EN54-3 certified on tones 1, 2, 3, 6, 7 and 13.

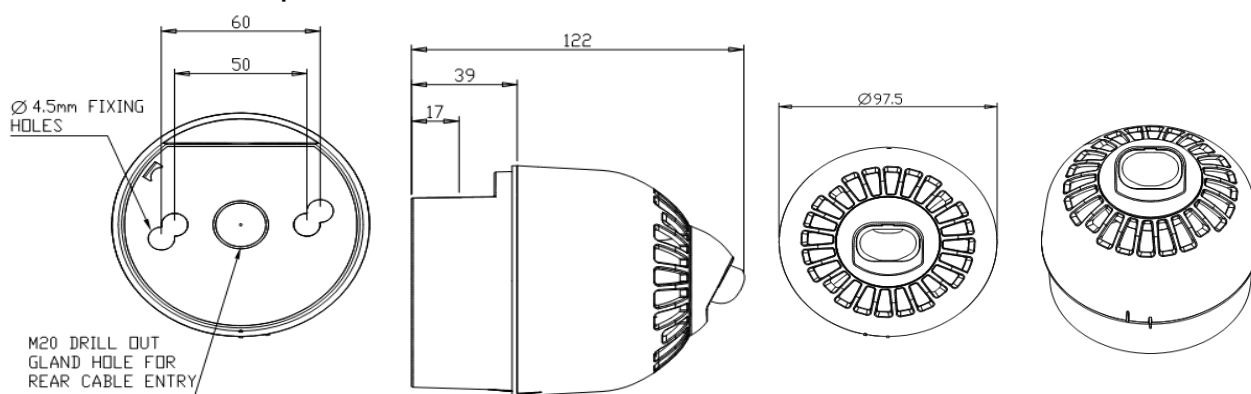
## Ceiling Mount Deep Base



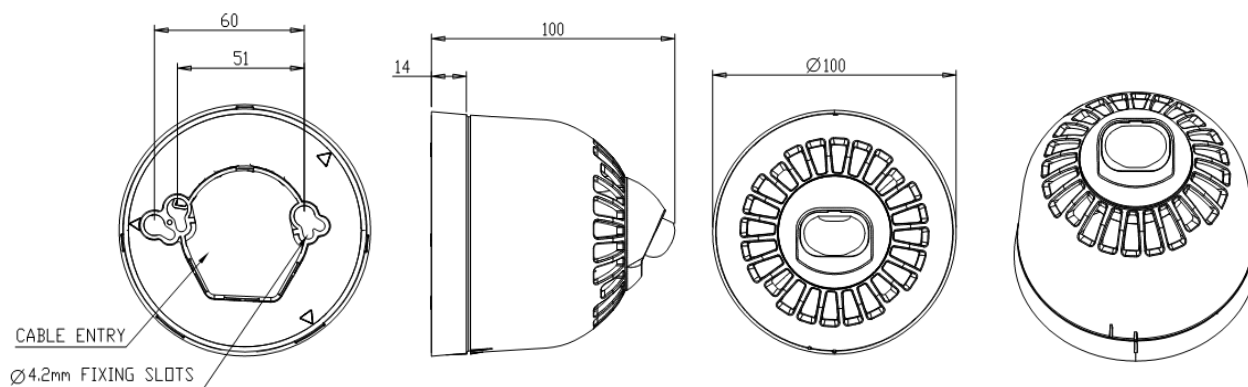
## Ceiling Mount Shallow Base



## Wall Mount Deep Base



## Wall Mount Shallow Base



# Tone Table

Tone	Tone Type	Tone Description/ Application	DIP SWITCH 1_2_3_4_5
1	—	970Hz (BS5839-1:2002)	O-O-O-O-O
2	□□□□	800Hz/970Hz @ 2Hz (BS5839-1:2002)	O-O-O-O-I
3	∕∕∕∕	800Hz – 970Hz @ 1Hz (BS5839-1:2002)	O-O-O-I-O
4	- - - -	970Hz 1s OFF/1s ON (Apollo Fire Systems Alert Tone, BS5839-1:2002)	O-O-O-I-I
5	□□□□	970Hz, 0.5s/ 630Hz, 0.5s (Apollo Fire Systems Evacuate Tone, BS5839-1:2002)	O-O-I-O-O
6	□□□□	554Hz, 0.1s/ 440Hz, 0.4s (France – AFNOR NF S 32 001 )	O-O-I-O-I
7	∕∕∕∕	500 – 1200Hz, 3.5s/ 0.5s OFF (Dutch Slow Whoop - NEN 2575:2000)	O-O-I-I-O
8	- - - -	420Hz 0.625s ON/0.625s OFF (Australia AS1670 Alert tone)	O-O-I-I-I
9	∕∕∕∕	500 – 1200Hz, 0.5s/ 0.5s OFF x 3/1.5s OFF (Australia AS1670 Evacuation tone)---	O-I-O-O-O
10	□□□□	550Hz/440Hz @ 0.5Hz	O-I-O-O-I
11	- - - -	970Hz, 0.5s ON/0.5s OFF x 3/ 1.5s OFF (ISO 8201 Low tone)	O-I-O-I-O
12	- - - -	2850Hz, 0.5s ON/0.5s OFF x 3/1.5s OFF (ISO 8201 High tone)	O-I-O-I-I
13	∕∕∕∕	1200Hz – 500Hz @ 1Hz (DIN 33 404)	O-I-I-O-O
14	—	400Hz	O-I-I-O-I
15	□□□□	550Hz, 0.7s/1000Hz, 0.33s	O-I-I-I-O
16	∕∕∕∕	1500Hz – 2700Hz @ 3Hz (Vandal Alarm)	O-I-I-I-I
17	—	750Hz	I-O-O-O-O
18	—	2400Hz	I-O-O-O-I
19	—	660Hz	I-O-O-I-O
20	- - - -	660Hz 1.8s ON/1.8s OFF	I-O-O-I-I
21	- - - -	660Hz 0.15s ON/0.15s OFF	I-O-I-O-O
22	□□□□	510Hz, 0.25s/ 610Hz, 0.25s	I-O-I-O-I
23	□□□□	800/1000Hz 0.5s each (1Hz)	I-O-I-I-O
24	∕∕∕∕	250Hz – 1200Hz @ 12Hz	I-O-I-I-I
25	∕∕∕∕	500Hz – 1200Hz @ 0.33Hz.	I-I-O-O-O
26	∕∕∕∕	2400Hz – 2900Hz @ 9Hz	I-I-O-O-I
27	∕∕∕∕	2400Hz – 2900Hz @ 3Hz	I-I-O-I-O
28	∕∕∕∕	800Hz – 970Hz @ 100Hz	I-I-O-I-I
29	∕∕∕∕	800Hz – 970Hz @ 9Hz	I-I-I-O-O
30	∕∕∕∕	800Hz – 970Hz @ 3Hz	I-I-I-O-I
31	- -	800Hz, 0.25s ON/1s OFF	I-I-I-I-O
32	∕∕∕∕	500Hz – 1200Hz, 3.75s/0.25s OFF (AS2220)	I-I-I-I-I



**Switch 6:** OFF High volume; ON Low volume reduced Sound output by 8dB.

**Switch 7:** Flash rate; 0.5Hz OFF; 1Hz ON.

# Minimum Sound Pressure Level

dBA at 1m on maximum volume setting, measured in accordance with EN54-3 Annex A.

## Sounder Beacon Type A

### Tone 1: 970Hz continuous

Angle °	Horizontal		Vertical	
	60V	17V	60V	17V
15	84	81	84	81
45	86	83	86	82
75	92	87	92	87
105	92	87	92	87
135	86	83	86	82
165	84	81	84	81

### Tone 2: 800/970Hz Alternating 2Hz

Angle °	Horizontal		Vertical	
	60V	17V	60V	17V
15	86	81	86	81
45	87	84	86	83
75	91	88	91	88
105	91	88	91	88
135	86	84	86	83
165	86	81	86	81

### Tone 3: 800-970Hz Sweep @ 1Hz

Angle °	Horizontal		Vertical	
	60V	17V	60V	17V
15	89	86	89	86
45	87	84	87	84
75	94	93	94	93
105	94	93	94	93
135	87	84	87	84
165	89	86	89	86

## Minimum Sound Pressure Level

dBA at 1m on maximum volume setting, measured in accordance with EN54-3 Annex A.

### Tone 6: 554Hz; 0.1s / 440Hz; 0.4 s

Angle °	Horizontal			
	60V	17V	60V	17V
15	83	80	83	80
45	85	80	85	80
75	88	85	88	85
105	88	85	88	85
135	85	80	85	80
165	83	80	83	80

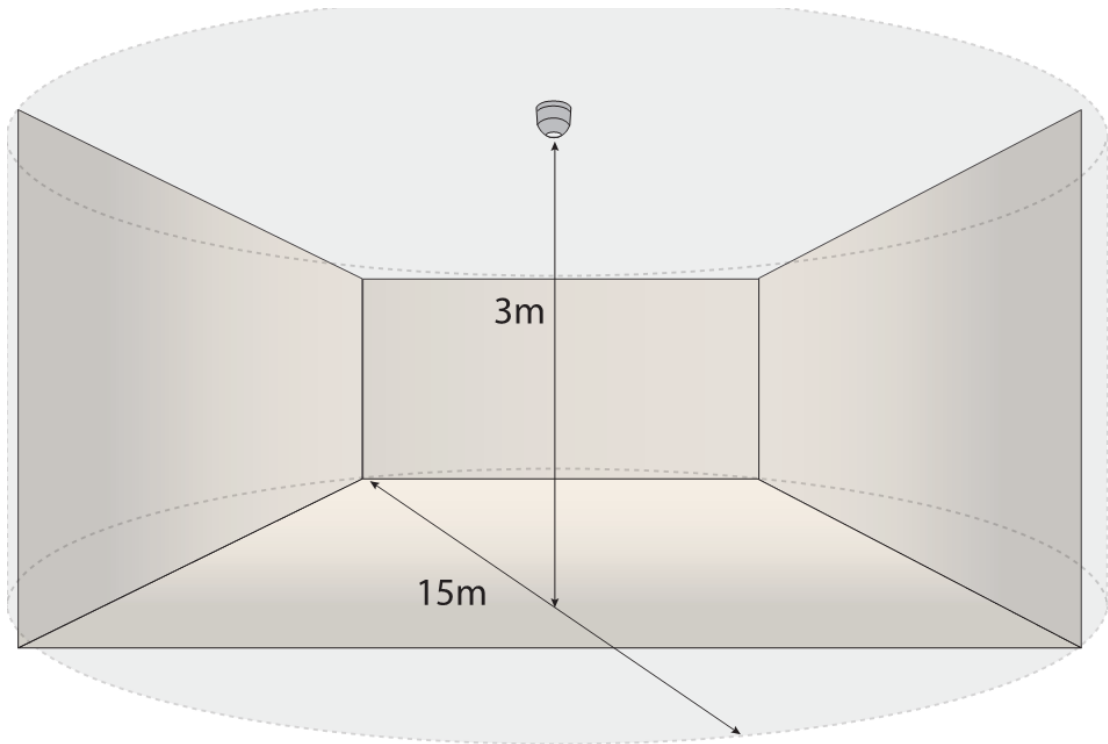
### Tone 7: 500—1200Hz in 3.5s ; 0.5 s off

Angle °	Horizontal		Vertical	
	60V	17V	60V	17V
15	91	88	91	88
45	87	84	87	84
75	95	92	95	92
105	95	92	95	92
135	87	84	87	84
165	91	88	91	88

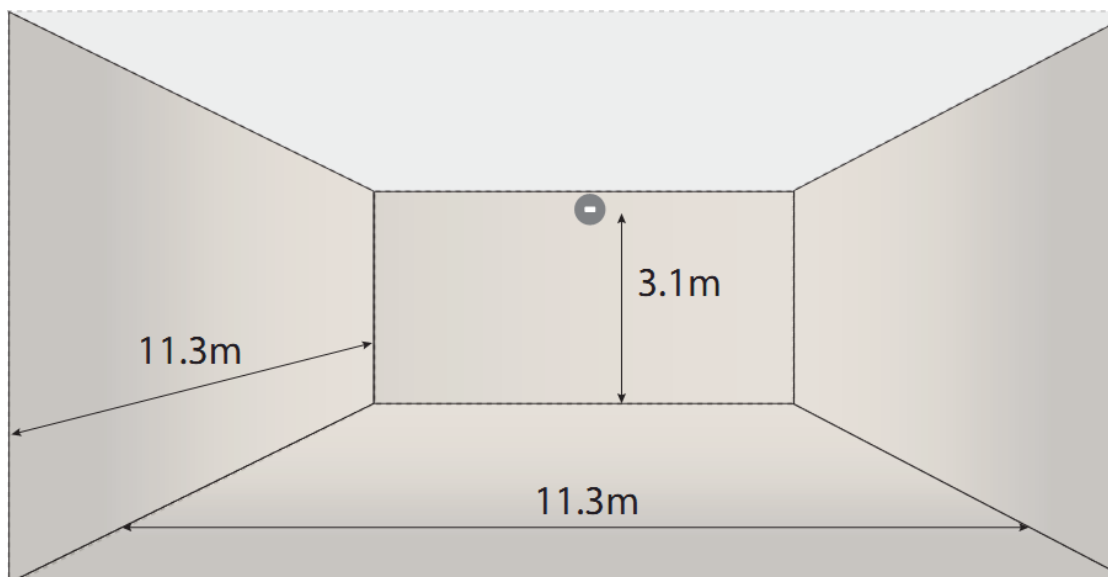
### Tone 13: 1200-500Hz Sweep @ 1Hz

Angle °	Horizontal		Vertical	
	60V	17V	60V	17V
15	89	85	89	85
45	86	83	86	83
75	93	90	93	90
105	93	90	93	90
135	86	83	86	83
165	89	85	89	85

**Minimum Coverage EN54-23  
White Light Beacon Type A/B**



EN54-23 Coverage C-3-15



EN54-23 Coverage W-3.1-11.3