



Texecom Ltd
 St Crispin Way
 Bradwood Court
 Haslingden
 Blackburn
 BB4 4PW
 United Kingdom

Fire Alarm Device: Red Light Beacon. Type A: For indoor use (Shallow Base) Type B: For Outdoor use (Deep Base)			 0832 13			EN54-23:2010 Fire Alarm devices—Visual alarm devices (VAD) Intended for use in and around buildings.		
Head Type	Coverage Volume	CPR Number	Type	Coverage Volume	CPR Number			
ESDA2000R	C-3-8.9	0832-CPR-F0148	ESDA1000R	W-2.4-7.5	0832-CPR-F0150			
ESDA2000W	C-3-8.9	0832-CPR-F0148	ESDA1000W	W-2.4-7.5	0832-CPR-F0150			

Fire Alarm Device: Sounder Red Light Beacon. Type A: For indoor use (Shallow Base)			 0832 13			EN54-23:2010; EN54-3:2001 Fire Alarm devices—Visual alarm devices (VAD) and sounder intended for use in and around buildings.		
Head Type	Coverage Volume	CPR Number	Type	Coverage Volume	CPR Number			
ESFA2000R	C-3-8.9	0832-CPR-F0147	ESFA1000R	W-2.4-7.5	0832-CPR-F0149			
ESFA2000W	C-3-8.9	0832-CPR-F0147	ESFA1000W	W-2.4-7.5	0832-CPR-F0149			

Head Type	LPCB Number
ESDA2000R	717e/05
ESDA2000W	717e/06
ESDA1000R	717e/07
ESDA1000W	717e/08
ESFA2000R	717d/05
ESFA2000W	717d/06
ESFA1000R	717d/07
ESFA1000W	717d/08

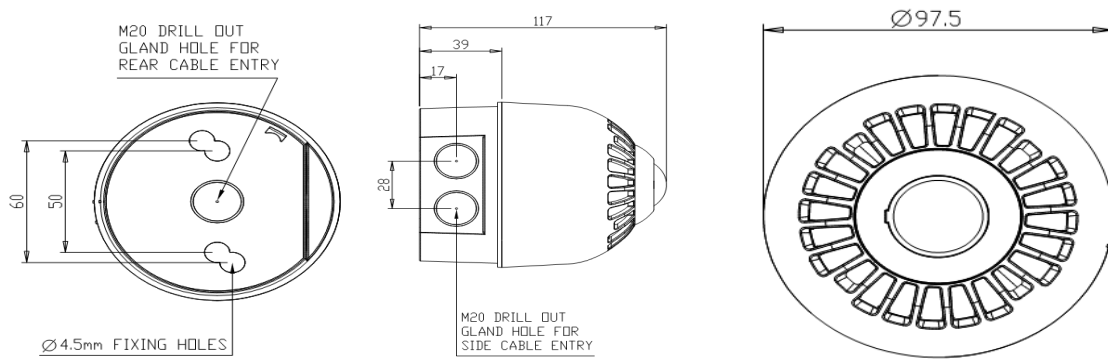


Technical Specification:

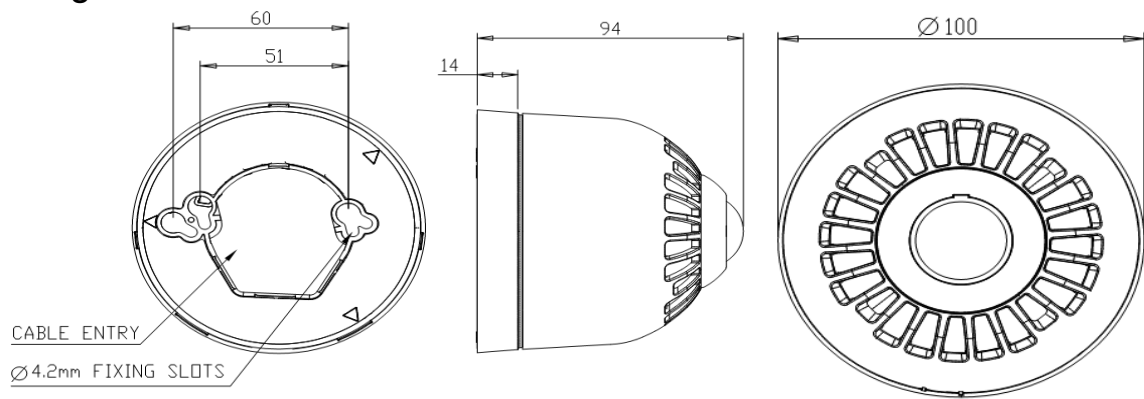
Supply Voltage Range	17—60Vdc
Switch on Surge @ 24Vdc	<1.2mA
Current	
Alarm (Sounder-Beacon) @ 24Vdc 0.5Hz	25.1mA
Alarm (Sounder-Beacon) @ 24Vdc 1Hz	45.1mA
Sounder	
Number of Tones	32
Peak Sound Level	97dBA dBA at 1m
Frequency Range	400—2850Hz*
Beacon	
Flash Rate	0.5Hz/1Hz
Flash Colour	Red
Stabilisation	1 minute
Synchronisation	Automatic.
Coverage (Ceiling)	C-3-8.9
Coverage Volume (Ceiling)	186.6m ³
Coverage (Wall)	W-2.4-7.5
Coverage Volume (Wall)	135m ³
Environmental	
Humidity	95%
Operating Temperature Sounder Beacon/Beacon	- 10°C to +55°C /- 25°C to +70°C
Storage Temperature Sounder Beacon/Beacon	- 10°C to +55°C /- 25°C to +70°C
Casing	High Impact Polycarbonate
IP Rating	IP21/ IP65 (deep Base)
Cable Size	min. 0.28 mm ² /max. 2.5 mm ²
Ceiling Dimensions (shallow base) (dia x h)	97.5mm X 94mm
Ceiling Dimensions (deep base) (dia x h)	97.5m X 117mm
Wall Dimensions (shallow base) (dia x h)	97.5mm X 100mm
Wall Dimensions (deep base) (dia x h)	97.5mm 122mm
Ceiling Beacon Weight (deep base)	237gms
Ceiling Beacon Weight (shallow base)	190gms
Wall Beacon Weight (deep base)	237gms
Wall Beacon Weight (shallow base)	190 gms
Ceiling Sounder Beacon Weight (deep base)	290 gms
Ceiling Sounder Beacon Weight (shallow base)	243 gms
Wall Sounder Beacon Weight (deep base)	290 gms
Wall Sounder Beacon Weight (shallow base)	243 gms

* EN54-3 certified on tones 1, 2, 3, 6, 7 and 13.

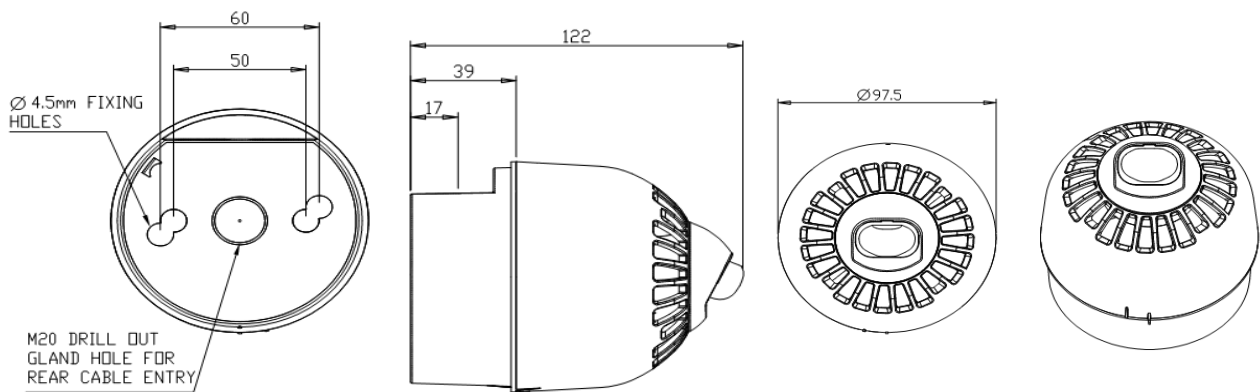
Ceiling Mount Deep Base



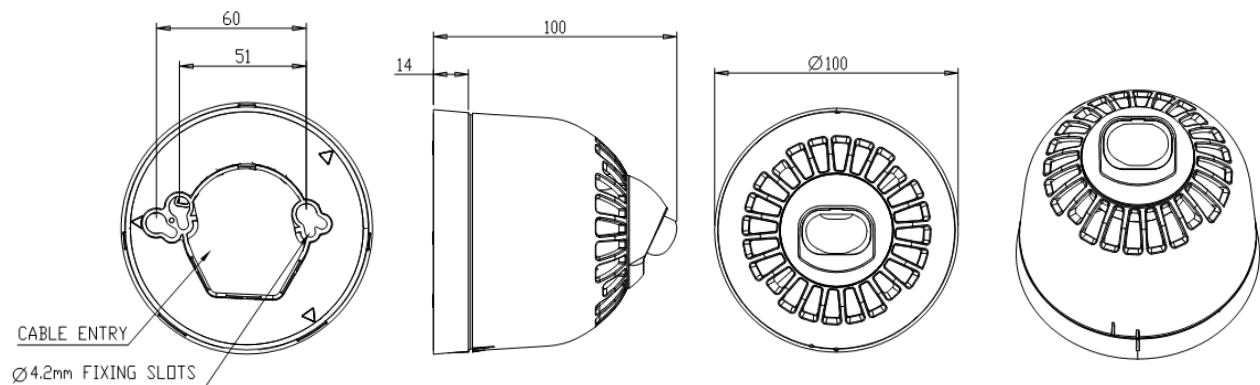
Ceiling Mount Shallow Base



Wall Mount Deep Base



Wall Mount Shallow Base



Tone Table

Tone	Tone Type	Tone Description/ Application	DIP SWITCH 1_2_3_4_5
1	————	970Hz (BS5839-1:2002)	O-O-O-O-O
2	⏏⏏⏏⏏	800Hz/970Hz @ 2Hz (BS5839-1:2002)	O-O-O-O-I
3	⏏⏏⏏⏏	800Hz – 970Hz @ 1Hz (BS5839-1:2002)	O-O-O-I-O
4	----	970Hz 1s OFF/1s ON (Apollo Fire Systems Alert Tone, BS5839-1:2002)	O-O-O-I-I
5	⏏⏏⏏⏏	970Hz, 0.5s/ 630Hz, 0.5s (Apollo Fire Systems Evacuate Tone, BS5839-1:2002)	O-O-I-O-O
6	⏏⏏⏏	554Hz, 0.1s/ 440Hz, 0.4s (France – AFNOR NF S 32 001)	O-O-I-O-I
7	⏏⏏⏏	500 – 1200Hz, 3.5s/ 0.5s OFF (Dutch Slow Whoop - NEN 2575:2000)	O-O-I-I-O
8	----	420Hz 0.625s ON/0.625s OFF (Australia AS1670 Alert tone)	O-O-I-I-I
9	⏏⏏⏏	500 – 1200Hz, 0.5s/ 0.5s OFF x 3/1.5s OFF (Australia AS1670 Evacuation tone)---	O-I-O-O-O
10	⏏⏏⏏⏏	550Hz/440Hz @ 0.5Hz	O-I-O-O-I
11	--- ---	970Hz, 0.5s ON/0.5s OFF x 3/ 1.5s OFF (ISO 8201 Low tone)	O-I-O-I-O
12	--- ---	2850Hz, 0.5s ON/0.5s OFF x 3/1.5s OFF (ISO 8201 High tone)	O-I-O-I-I
13	⏏⏏⏏⏏	1200Hz – 500Hz @ 1Hz (DIN 33 404)	O-I-I-O-O
14	————	400Hz	O-I-I-O-I
15	⏏⏏⏏⏏	550Hz, 0.7s/1000Hz, 0.33s	O-I-I-I-O
16	⏏⏏⏏⏏	1500Hz – 2700Hz @ 3Hz (Vandal Alarm)	O-I-I-I-I
17	————	750Hz	I-O-O-O-O
18	————	2400Hz	I-O-O-O-I
19	————	660Hz	I-O-O-I-O
20	----	660Hz 1.8s ON/1.8s OFF	I-O-O-I-I
21	----	660Hz 0.15s ON/0.15s OFF	I-O-I-O-O
22	⏏⏏⏏⏏	510Hz, 0.25s/ 610Hz, 0.25s	I-O-I-O-I
23	⏏⏏⏏⏏	800/1000Hz 0.5s each (1Hz)	I-O-I-I-O
24	⏏⏏⏏⏏	250Hz – 1200Hz @ 12Hz	I-O-I-I-I
25	⏏⏏⏏⏏	500Hz – 1200Hz @ 0.33Hz.	I-I-O-O-O
26	⏏⏏⏏⏏	2400Hz – 2900Hz @ 9Hz	I-I-O-O-I
27	⏏⏏⏏⏏	2400Hz – 2900Hz @ 3Hz	I-I-O-I-O
28	⏏⏏⏏⏏	800Hz – 970Hz @ 100Hz	I-I-O-I-I
29	⏏⏏⏏⏏	800Hz – 970Hz @ 9Hz	I-I-I-O-O
30	⏏⏏⏏⏏	800Hz – 970Hz @ 3Hz	I-I-I-O-I
31	- -	800Hz, 0.25s ON/1s OFF	I-I-I-I-O
32	⏏⏏⏏⏏	500Hz – 1200Hz, 3.75s/0.25s OFF (AS2220)	I-I-I-I-I



Switch 6: OFF High volume; ON Low volume reduced Sound output by 8dB.

Switch 7: Flash rate; 0.5Hz OFF; 1Hz ON.

Minimum Sound Pressure Level

dBA at 1m on maximum volume setting, measured in accordance with EN54-3 Annex A.

Sounder Beacon Type A

Tone 1: 970Hz continuous

Angle °	Horizontal		Vertical	
	60V	17V	60V	17V
15	84	81	84	81
45	86	83	86	82
75	92	87	92	87
105	92	87	92	87
135	86	83	86	82
165	84	81	84	81

Tone 2: 800/970Hz Alternating 2Hz

Angle °	Horizontal		Vertical	
	60V	17V	60V	17V
15	86	81	86	81
45	87	84	86	83
75	91	88	91	88
105	91	88	91	88
135	86	84	86	83
165	86	81	86	81

Tone 3: 800-970Hz Sweep @ 1Hz

Angle °	Horizontal		Vertical	
	60V	17V	60V	17V
15	89	86	89	86
45	87	84	87	84
75	94	93	94	93
105	94	93	94	93
135	87	84	87	84
165	89	86	89	86

Minimum Sound Pressure Level

dBA at 1m on maximum volume setting, measured in accordance with EN54-3 Annex A.

Tone 6: 554Hz; 0.1s / 440Hz; 0.4 s

	Horizontal			
Angle °	60V	17V	60V	17V
15	83	80	83	80
45	85	80	85	80
75	88	85	88	85
105	88	85	88	85
135	85	80	85	80
165	83	80	83	80

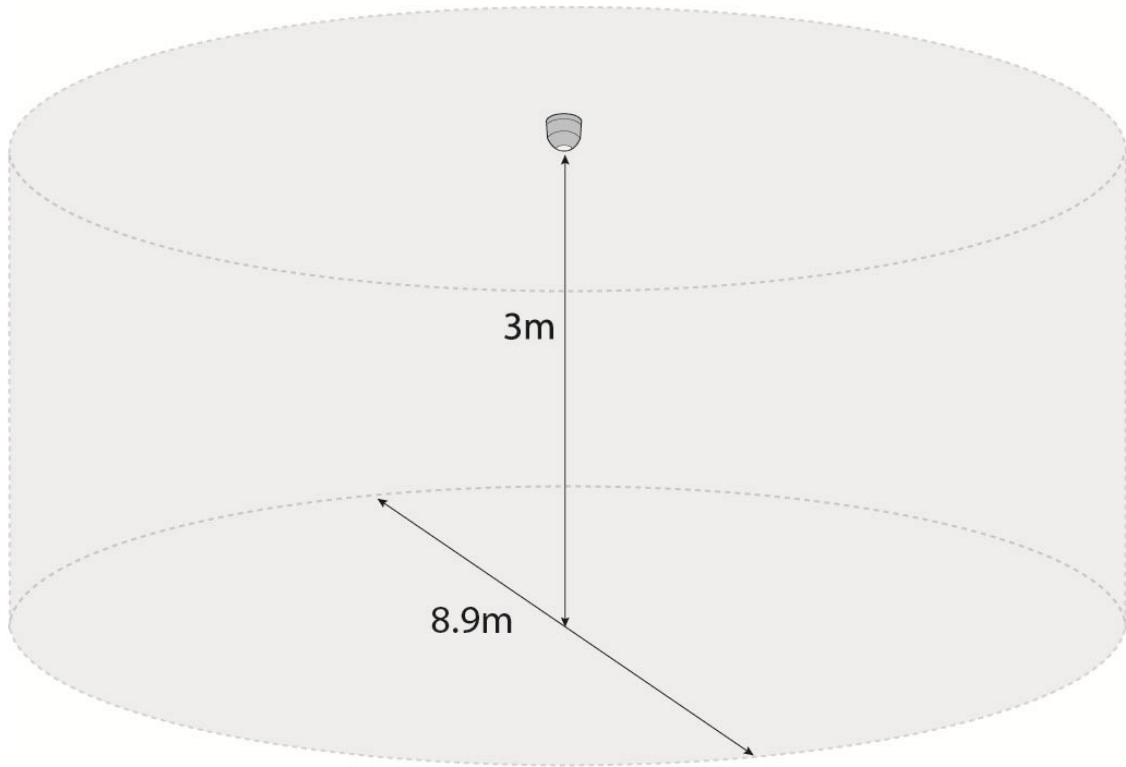
Tone 7: 500—1200Hz in 3.5s ; 0.5 s off

	Horizontal		Vertical	
Angle °	60V	17V	60V	17V
15	91	88	91	88
45	87	84	87	84
75	95	92	95	92
105	95	92	95	92
135	87	84	87	84
165	91	88	91	88

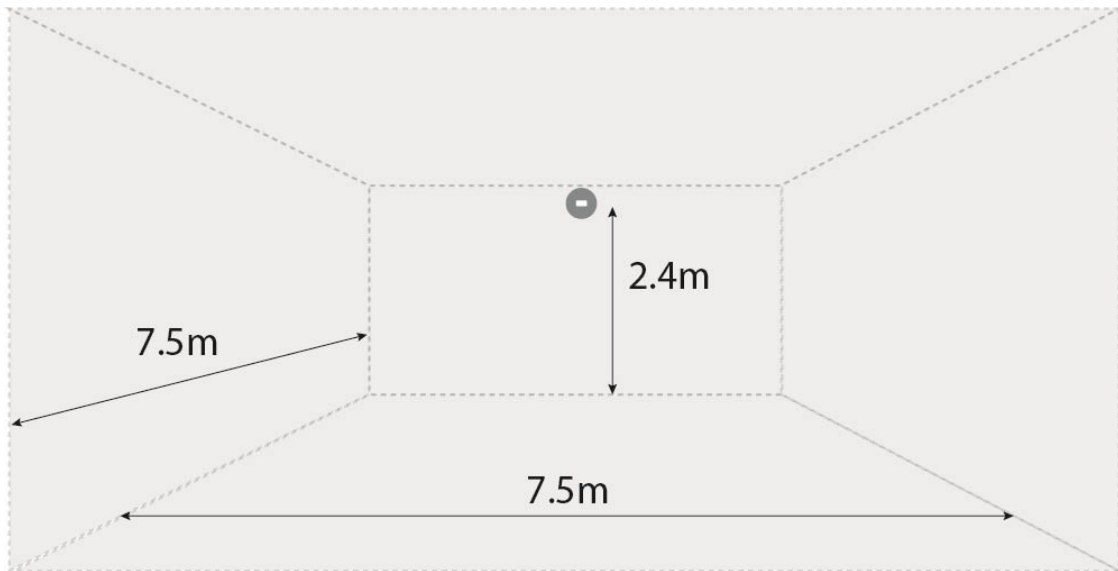
Tone 13: 1200-500Hz Sweep @ 1Hz

	Horizontal		Vertical	
Angle °	60V	17V	60V	17V
15	89	85	89	85
45	86	83	86	83
75	93	90	93	90
105	93	90	93	90
135	86	83	86	83
165	89	85	89	85

**Minimum Coverage EN54-23
Red Light Beacon Type A/B**



EN54-23 Coverage C-3-8.9



EN54-23 Coverage W-2.4-7.5